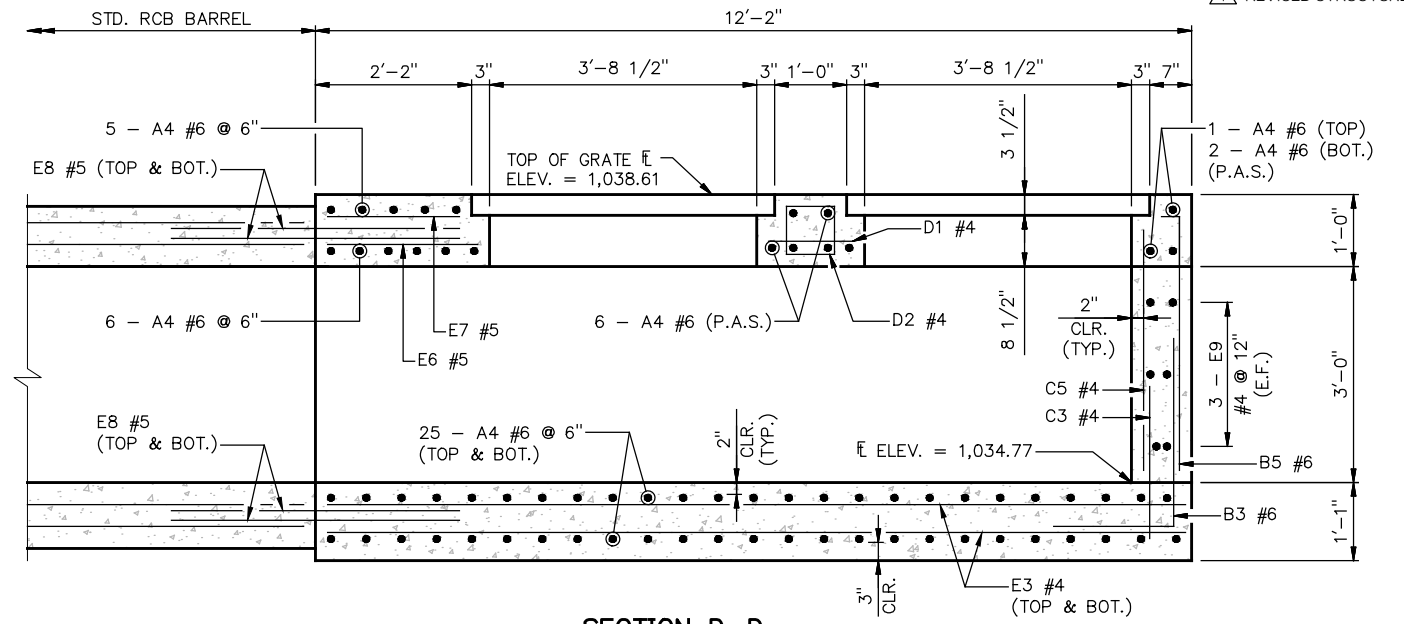
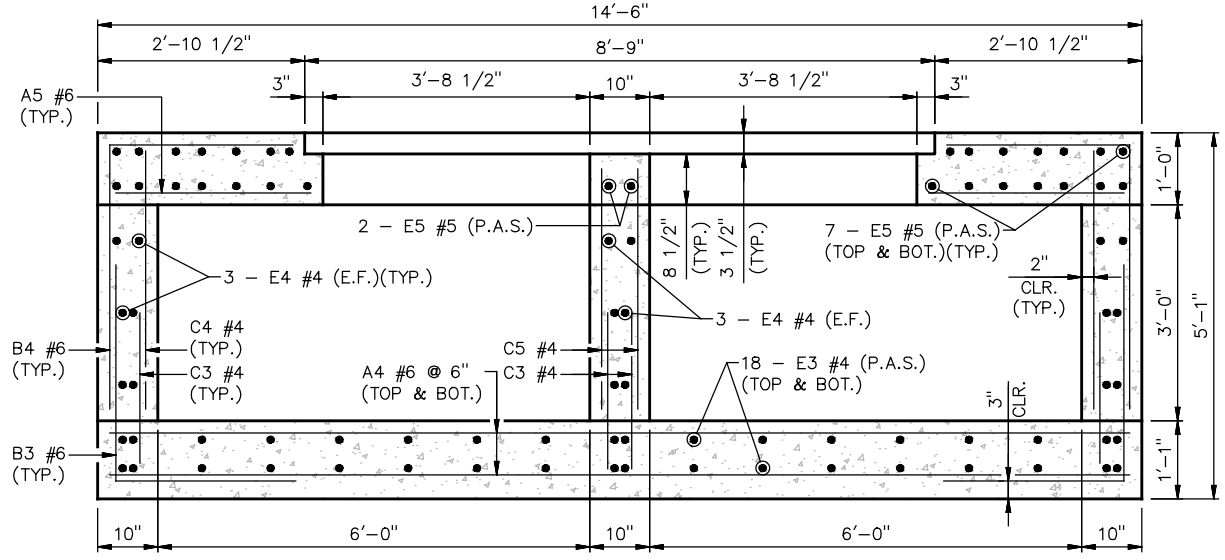


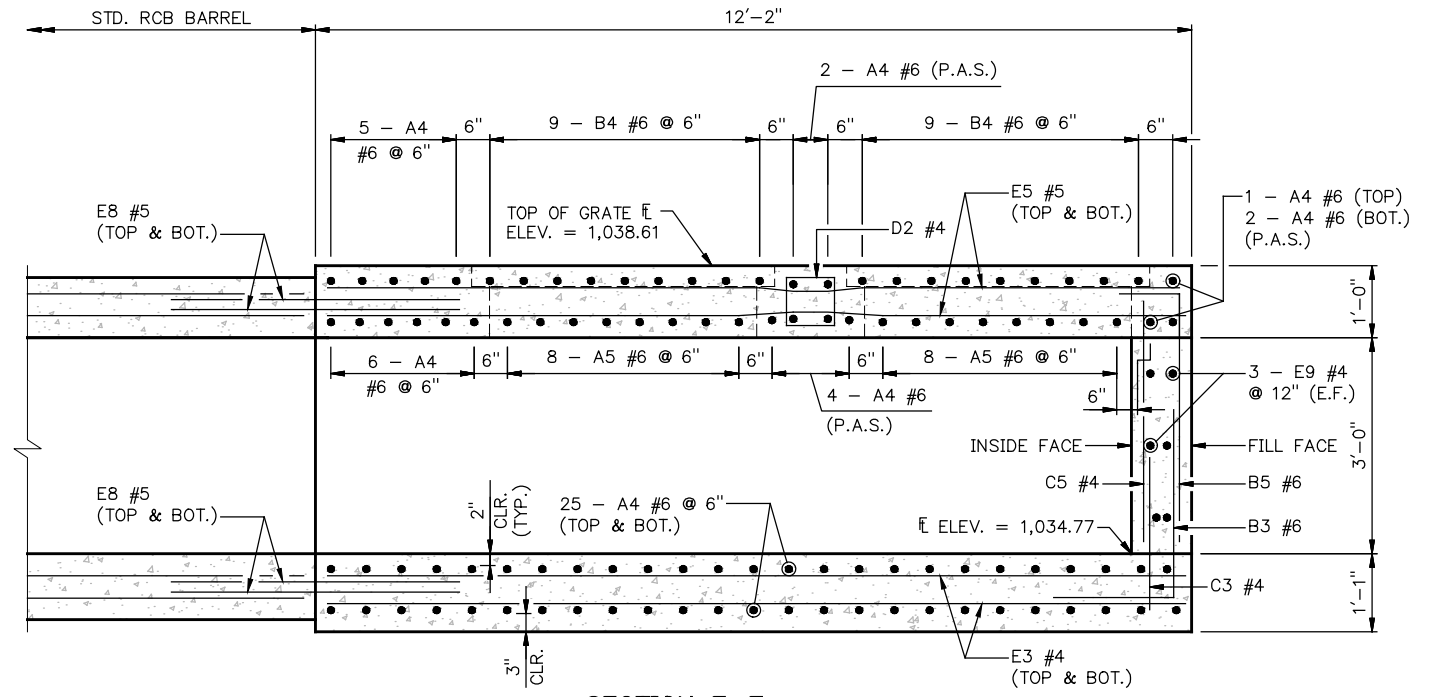
VIEW A-A



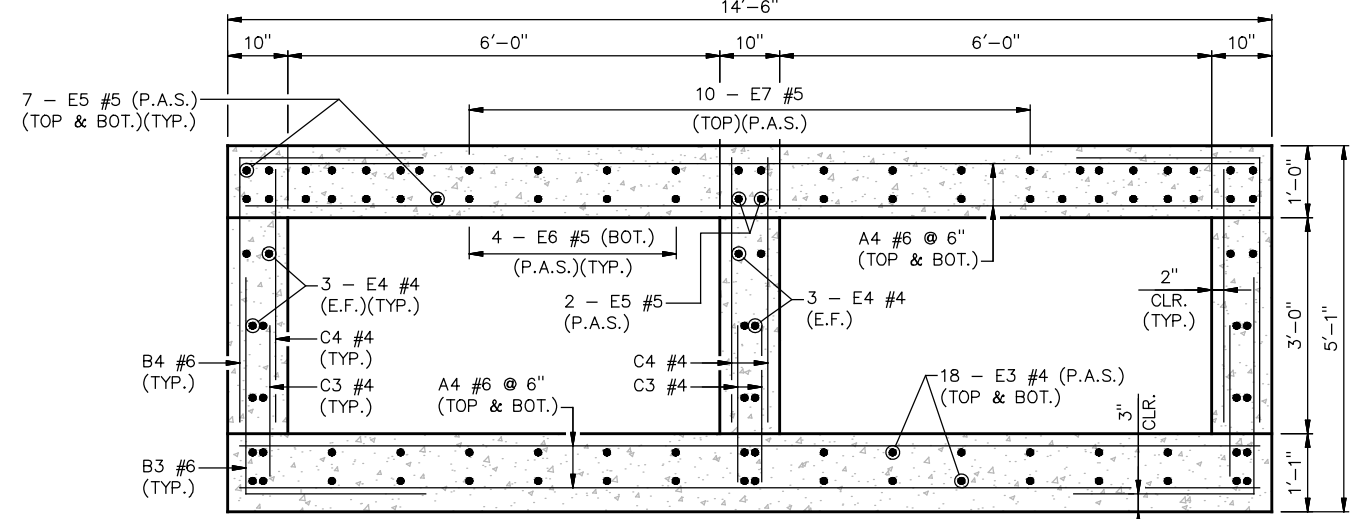
SECTION D-D



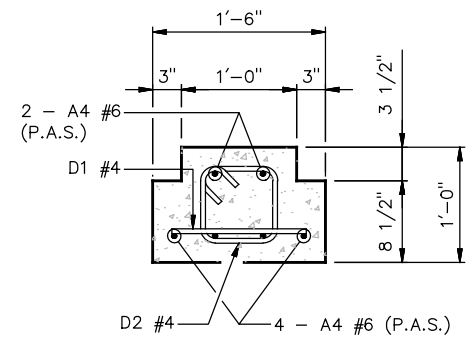
SECTION B-B



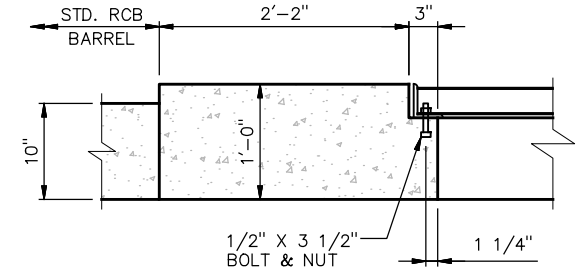
SECTION E-E
(B BARS NOT SHOWN FOR CLARITY)



SECTION C-C



SECTION F-F



INLET GRATE BOLT DETAIL

NOTES
 I.F. = DENOTES INSIDE FACE
 F.F. = DENOTES FILL FACE
 E.F. = DENOTES EACH FACE
 P.A.S. = DENOTES PLACED AS SHOWN

NOTES
 SEE SHEET 105 FOR BAR BEND DETAILS.

STRUCTURE 58 DETAILS
(DETAIL 4 OF 4)